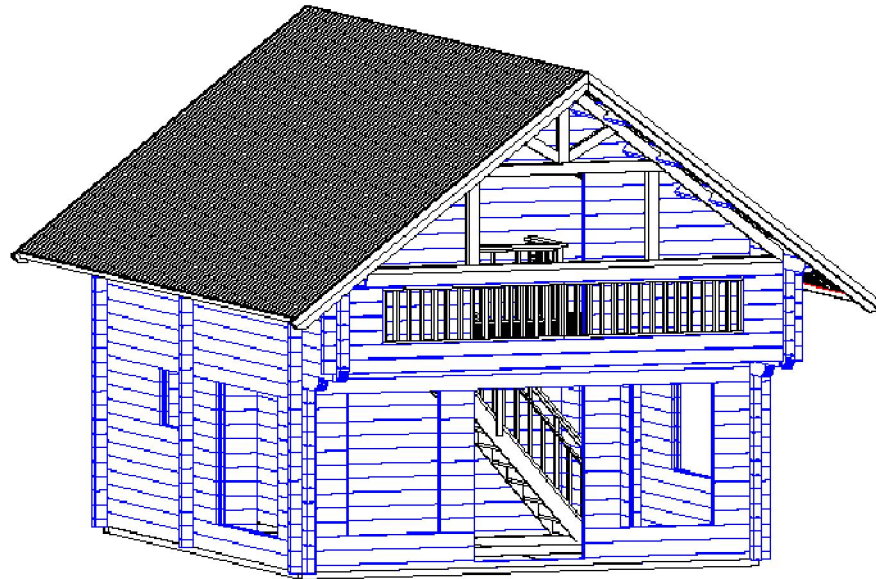


HB004C








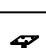
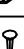
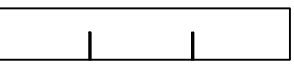
Assembly chart / 组装图
(Altogether 29 pages / 共29页)



Page/页	1:	— — —	Hardware list (五金表)
Page/页	2/5:	— — —	Node (节点图)
Page/页	6/7:	— — —	Plan (平面图)
Page/页	8/15:	— — —	Wall and plan (平面墙体分解图)
Page/页	16:	— — —	Ground beams drawing (地垄图)
Page/页	17/18:	— — —	Wall drawing (墙体图)
Page/页	19:	— — —	Floor beam drawing (楼梁图)
Page/页	20:	— — —	Fence/Stairs (围栏/楼梯图)
Page/页	21:	— — —	Floor panel drawing (楼板图)
Page/页	21:	— — —	Floor panel drawing (楼板图)
Page/页	22:	— — —	Fence/Handrails (围栏/扶手图)
Page/页	23:	— — —	Wall drawing (墙体图)
Page/页	24:	— — —	Truss (人字架图)
Page/页	25:	— — —	Top beam (顶梁图)
Page/页	26:	— — —	The lower tiles (下瓦片图)
Page/页	27:	— — —	The upper tiles(瓦片图)
Page/页	28:	— — —	Eaves Liang Roofing side cover (檐头梁/瓦片压条图)
Page/页	31:	— — —	Effect chart (效果图)

Iraq

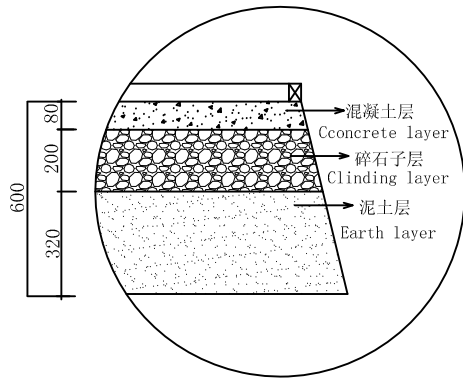
Nail serial number / 钉子型号

Item no./型号	Picture/图片	Spe/规格 (mm)	Qty/数量
1		ø5*70	188PCS
2		ø5*80	143PCS
3		ø5*50	30PCS
5		ø3.5*50	2096PCS
6		ø5*60	195PCS
7		ø5*40	312PCS
9		ø5*100	20PCS
		100*100	2PCS
		ø5*100	3744PCS
Tiles/波纤瓦		1000*300	780PCS

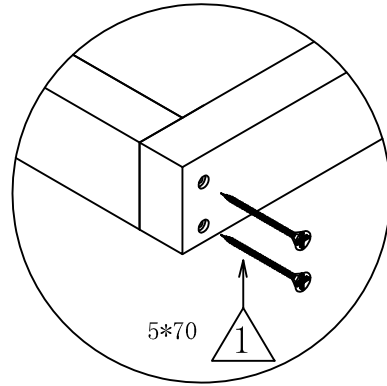
Remark/备注

Iraq

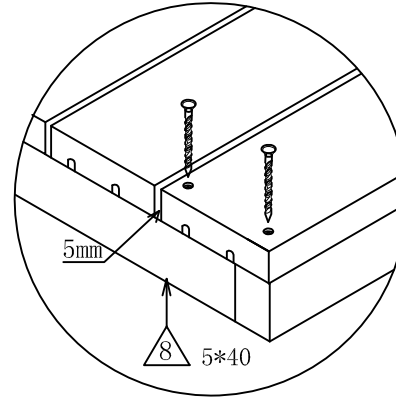
node / 节点



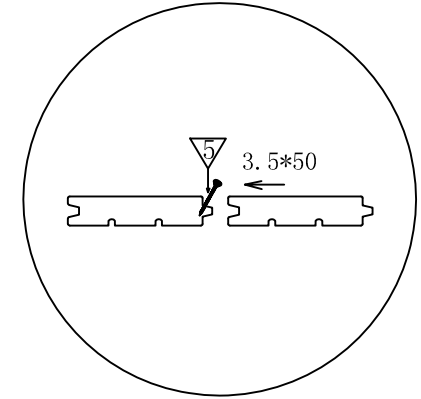
Ground



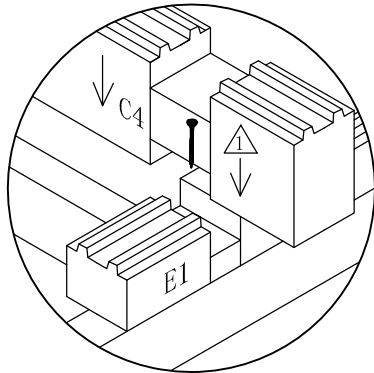
Ground beam



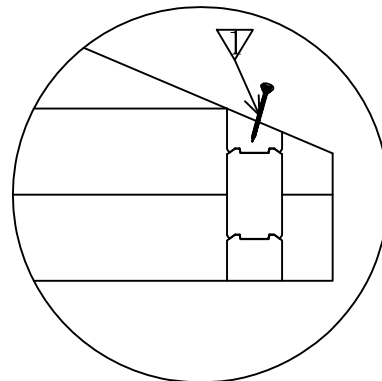
Outdoor floor



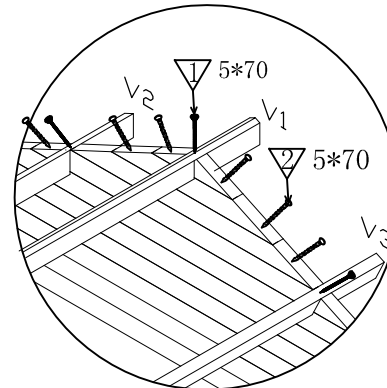
Indoor floor



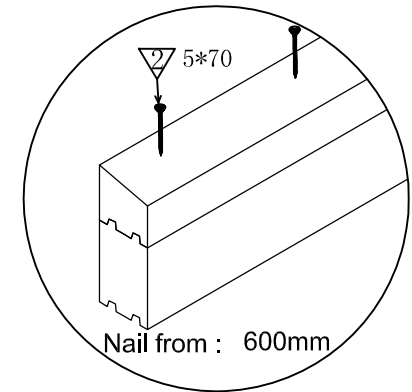
The first half of the block wallboard



The last piece of wallboard



Top beam

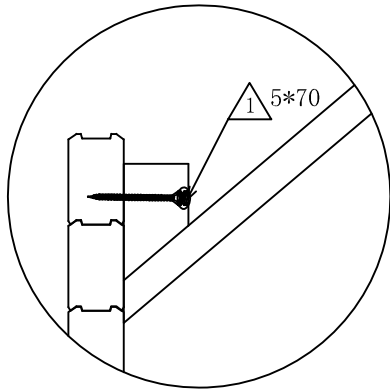


The top half of wallboard

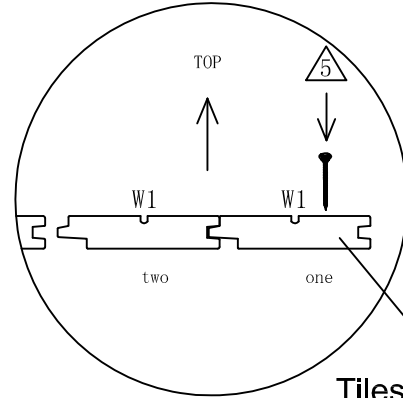
Remark/备注

Iraq

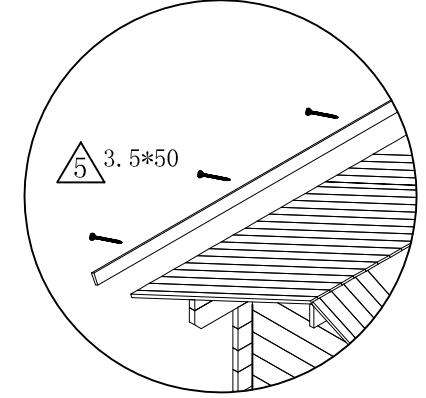
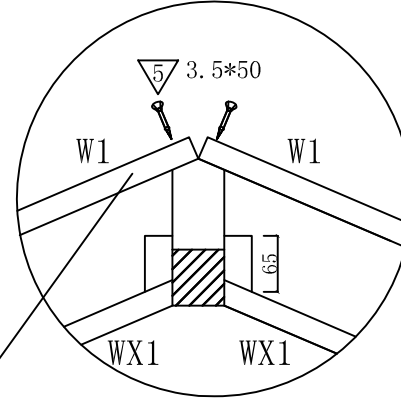
node / 节点



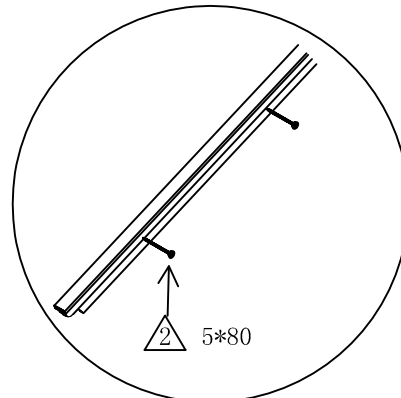
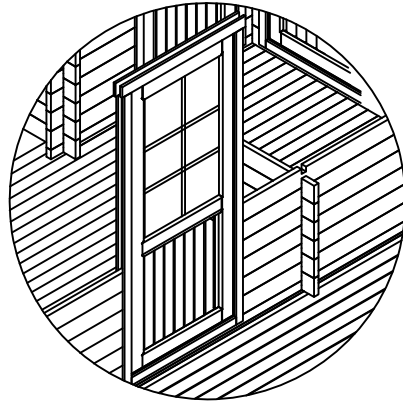
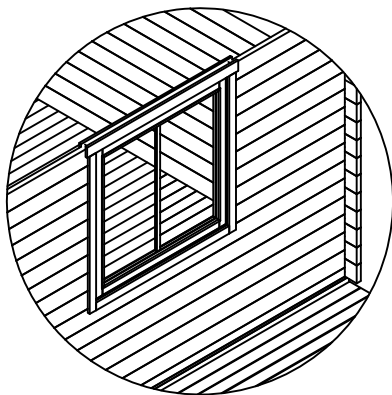
The ceiling-support plate



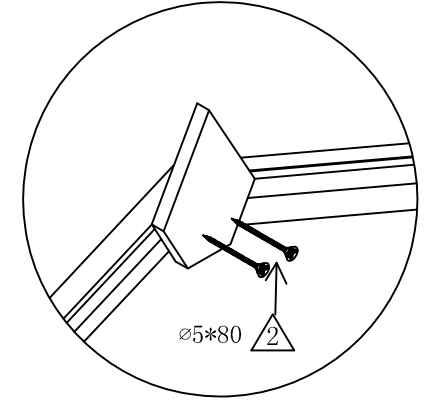
Tiles



Nail from : 600mm
Tiles layering



Eaves liang

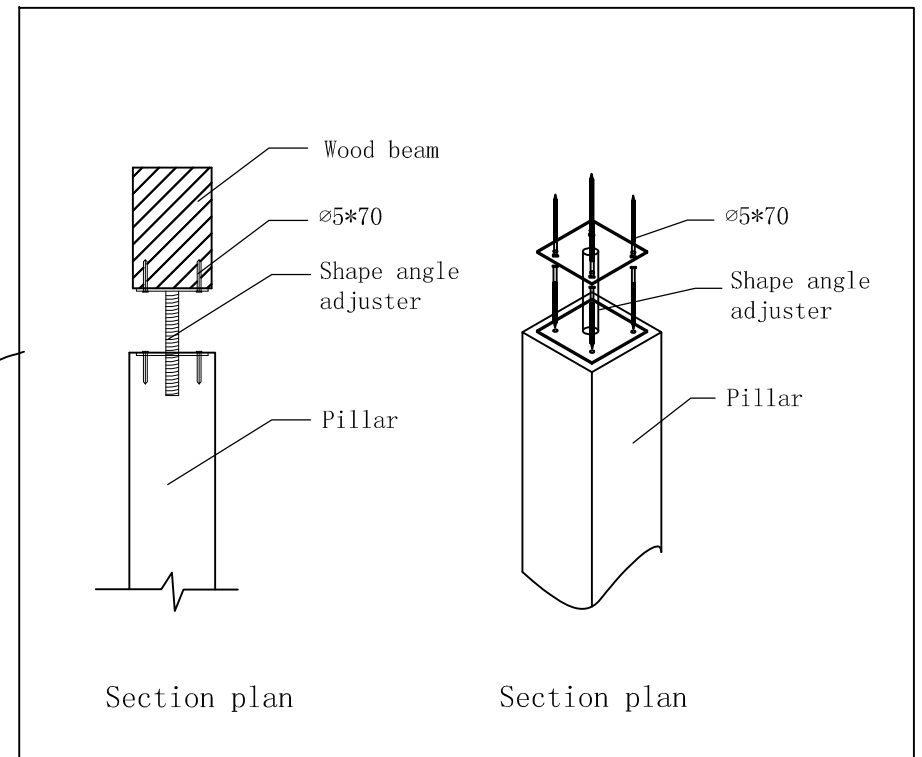
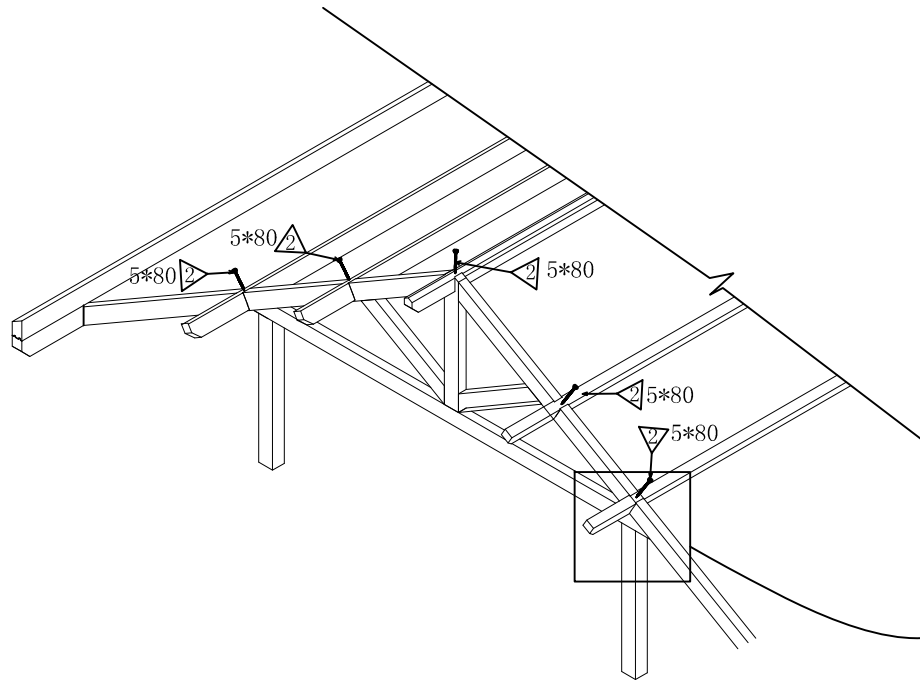


logo

Remark/备注

Iraq

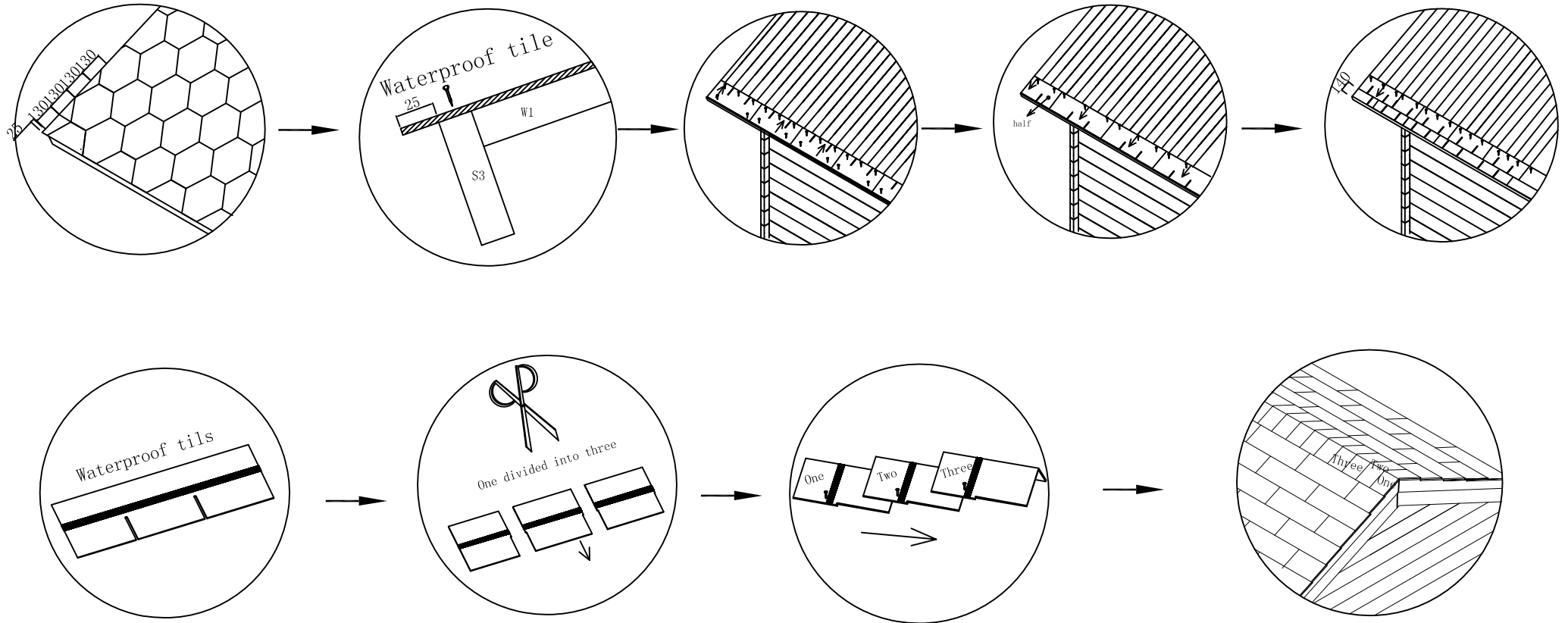
node / 节点



Remark/备注

Iraq

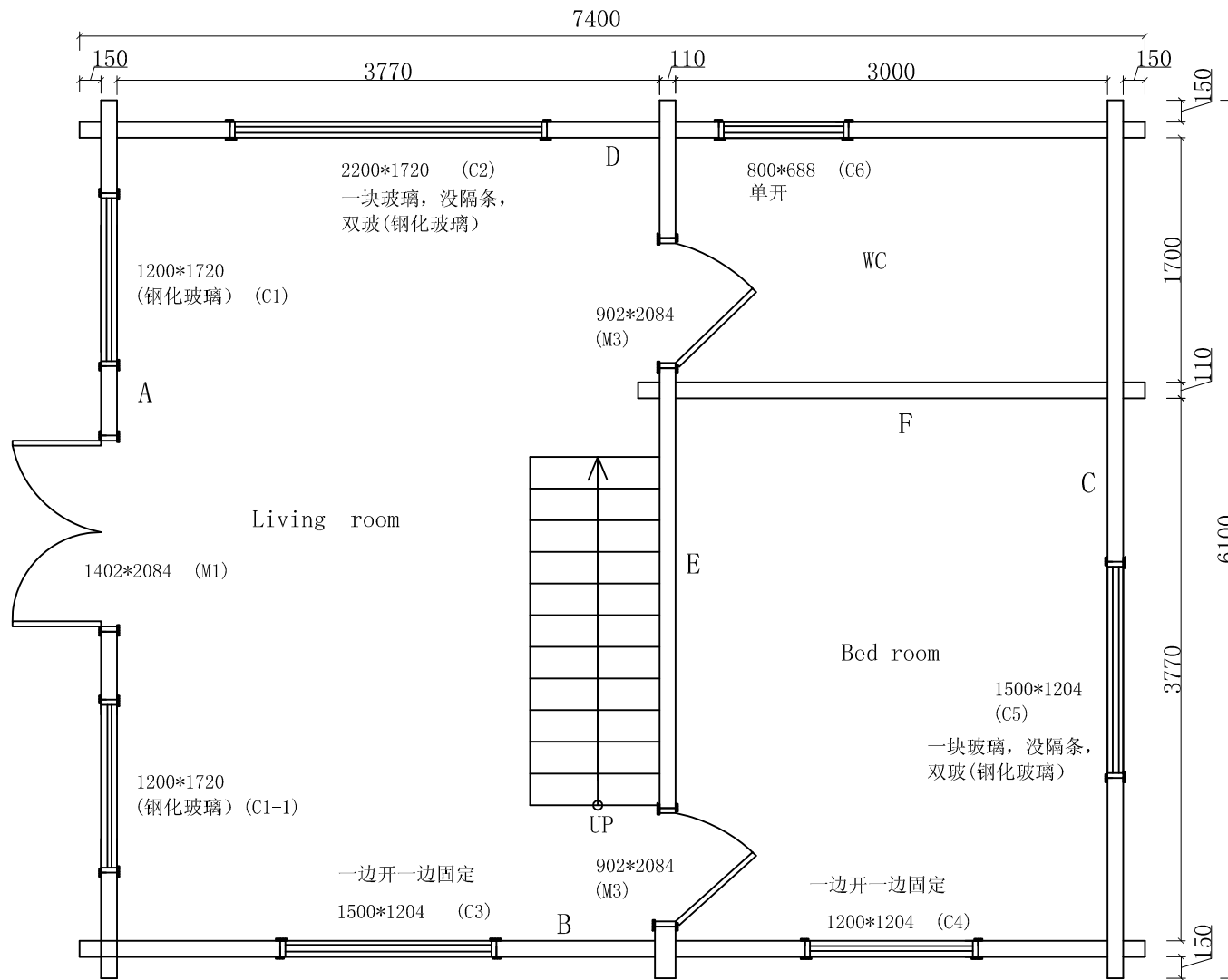
node / 节点



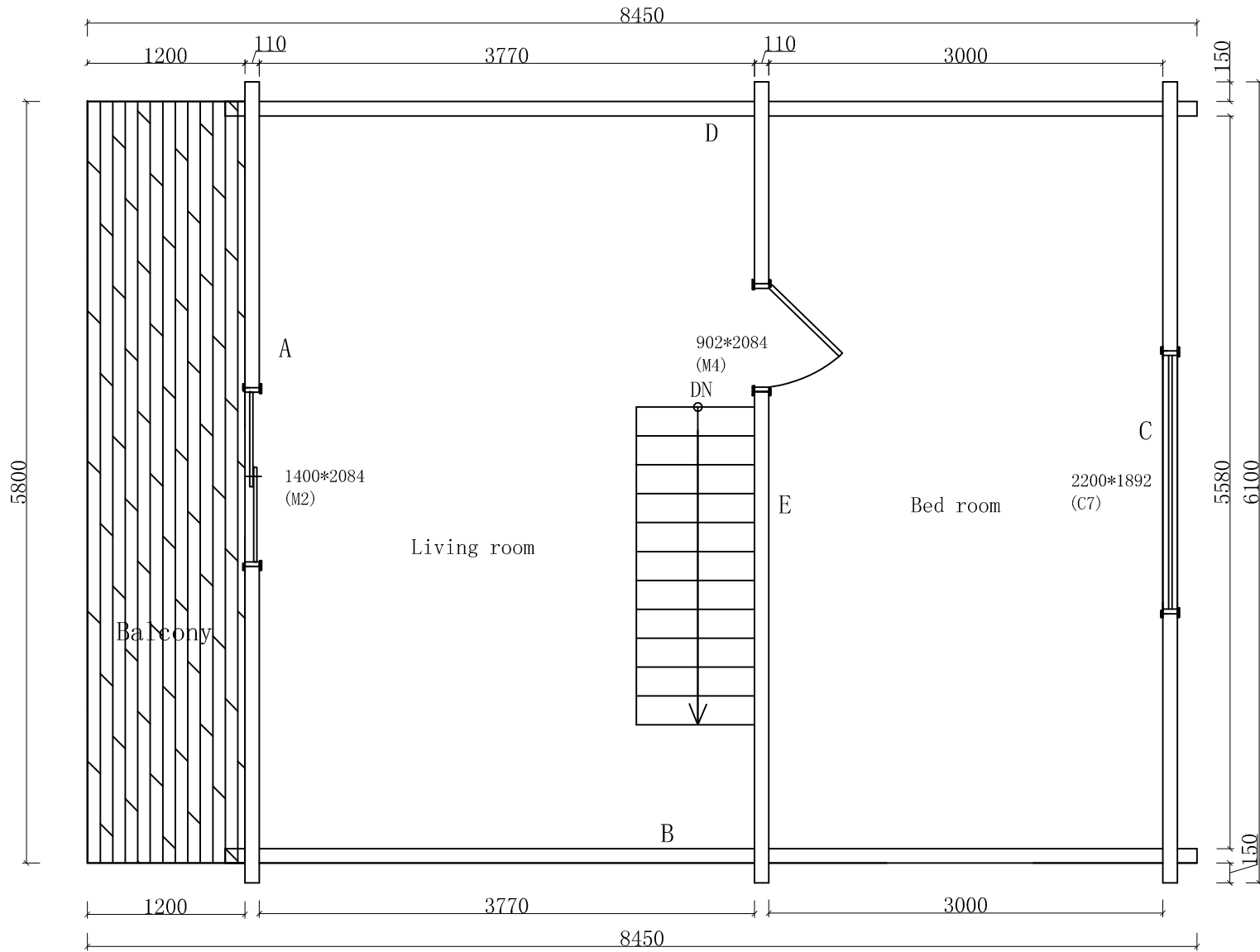
Waterproof tils were

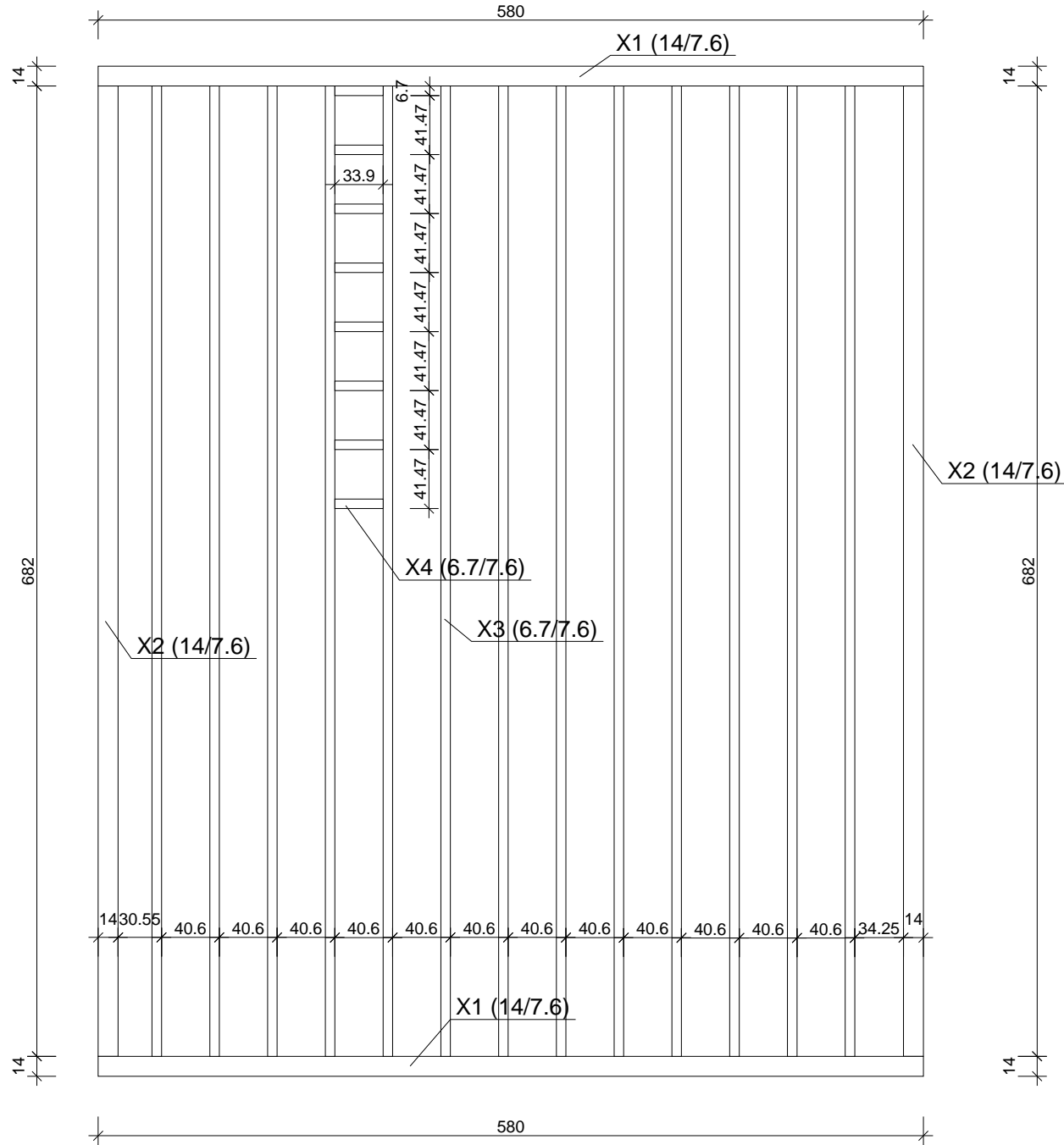
Remark/备注

一层平面图
172*110



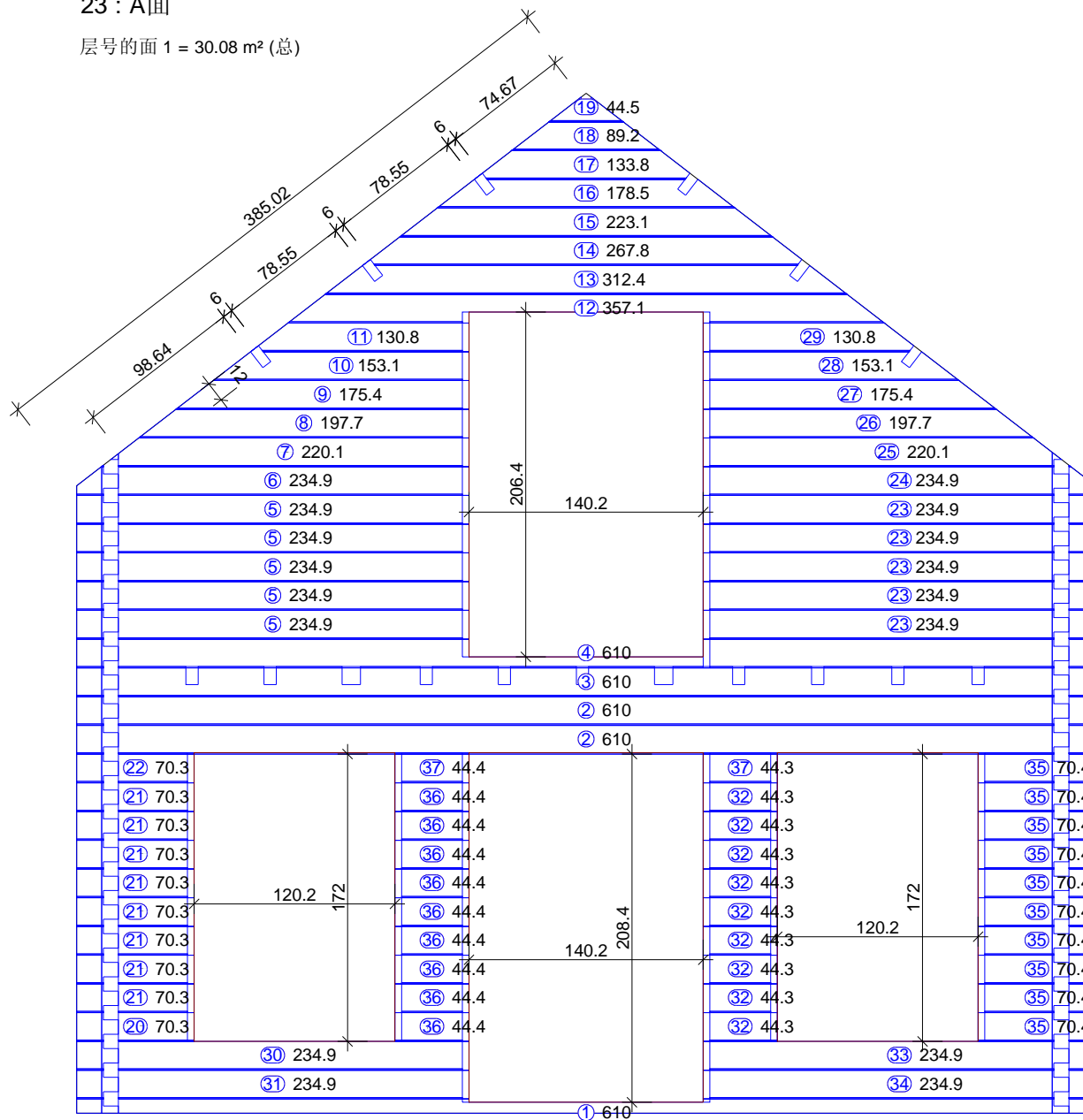
二层平面图
172*110



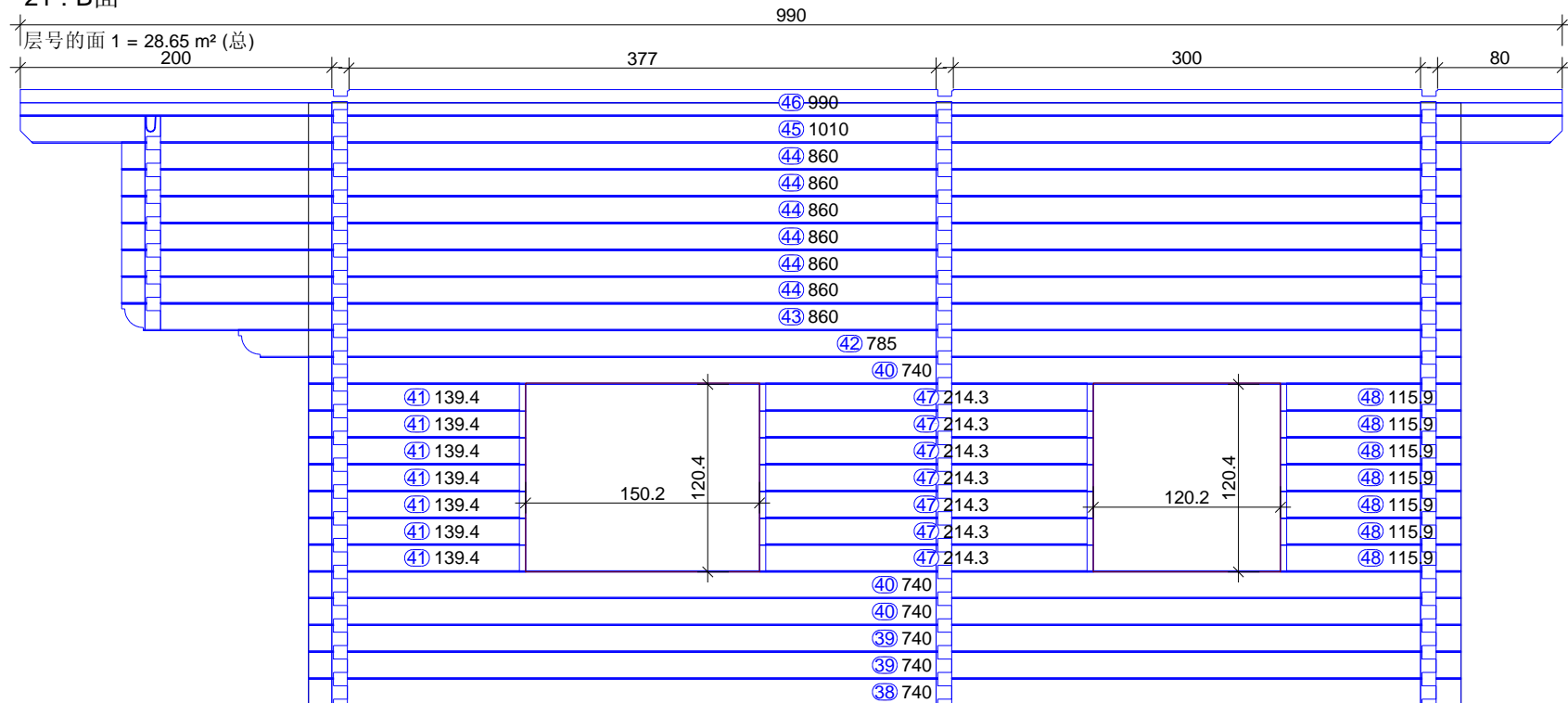


23 : A面

层号的面 1 = 30.08 m² (总)

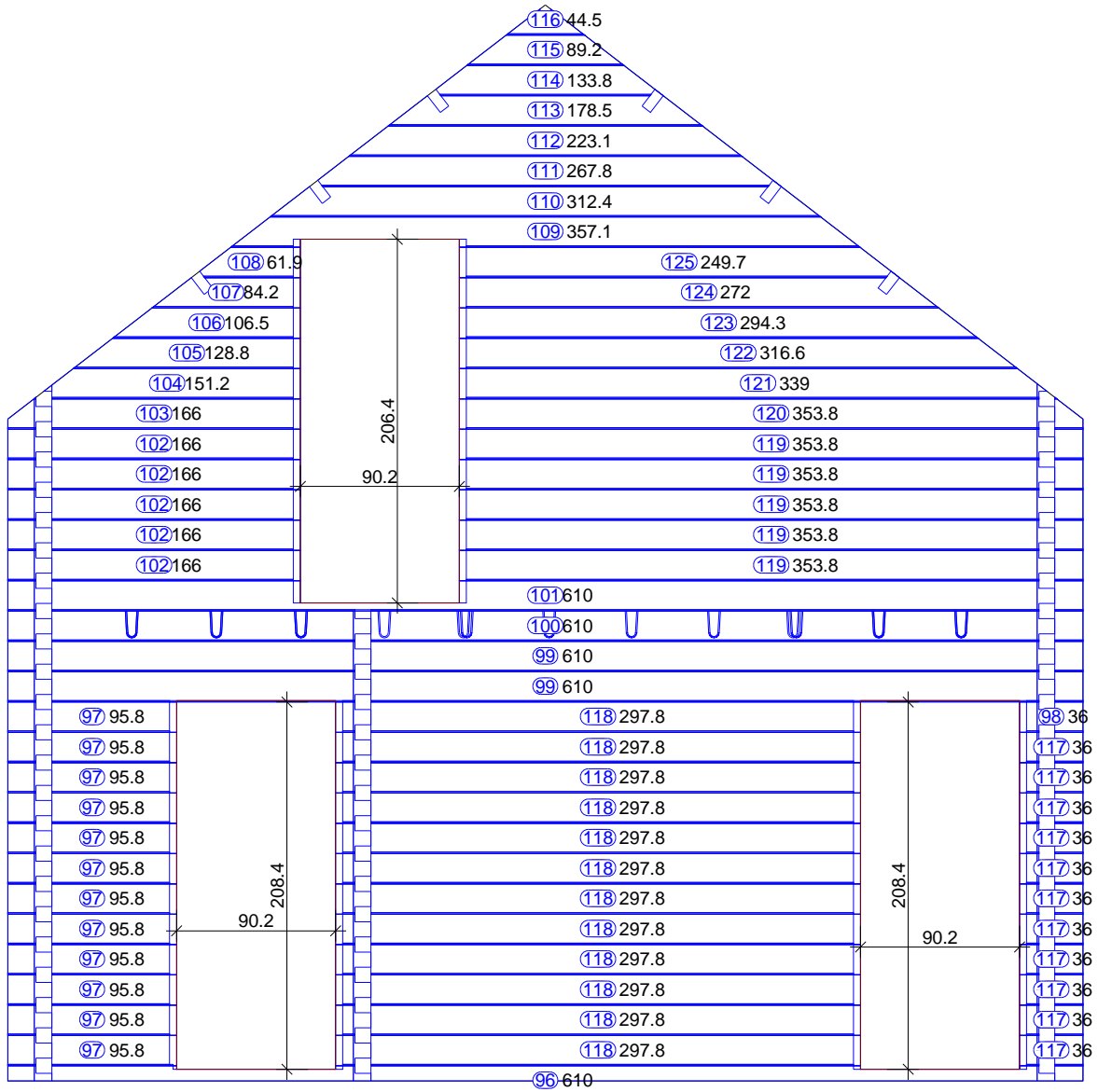


21 : B面



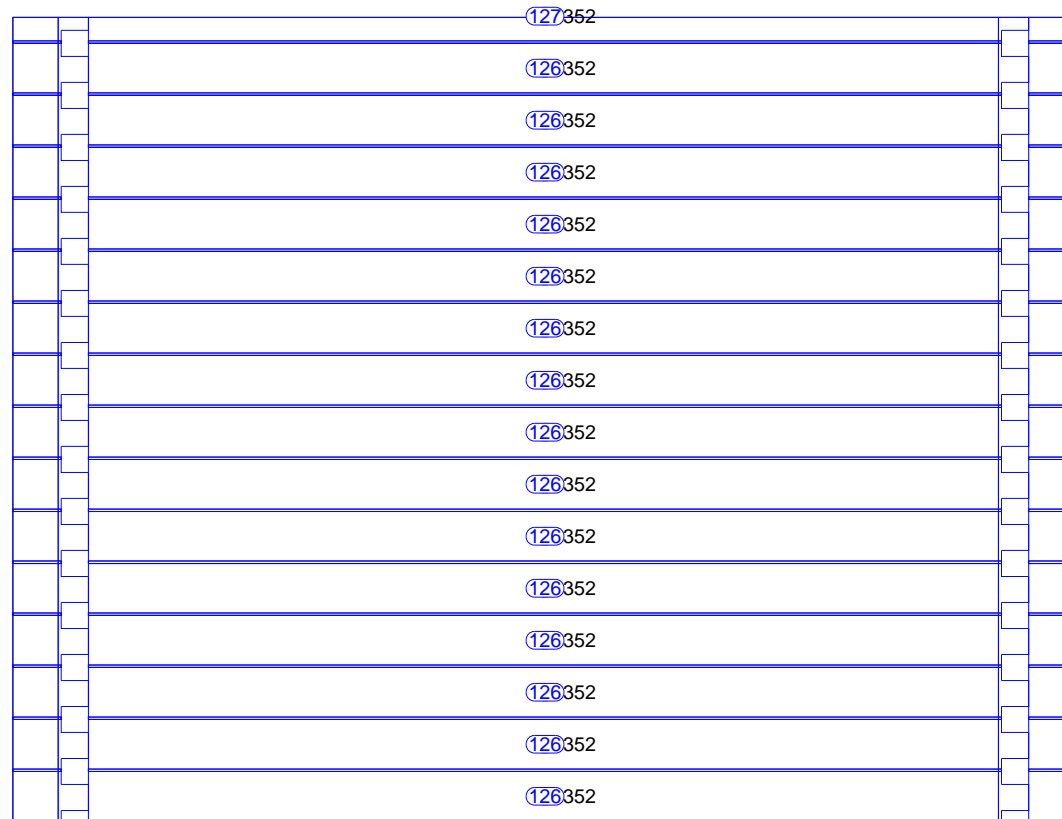
3 : E面

层号的面 1 = 30.08 m² (总)



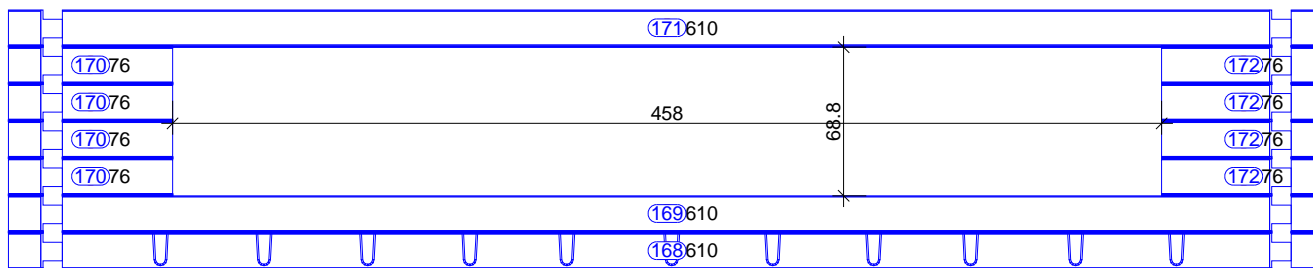
4 : F面

层号的面 1 = 18.83 m² (总)

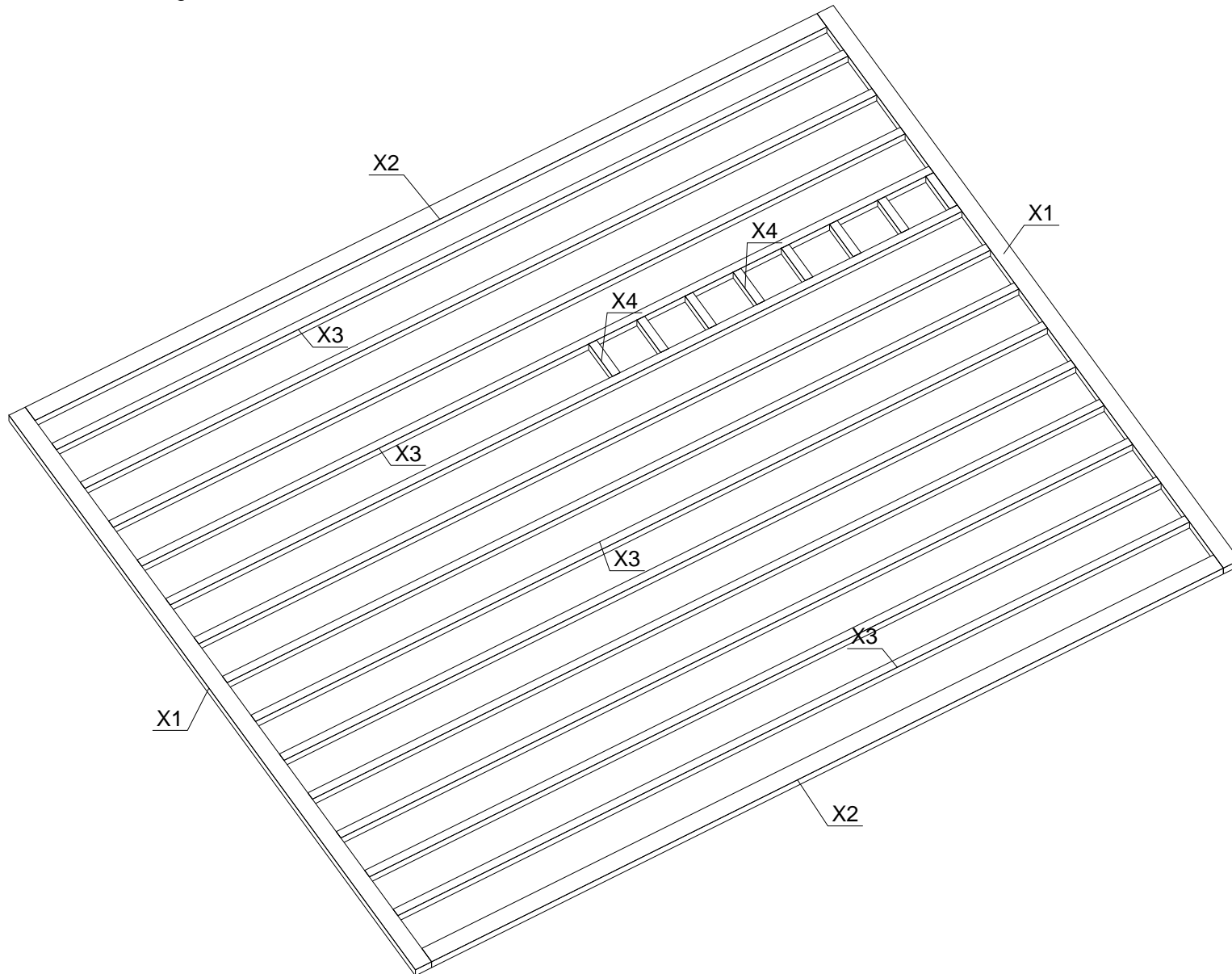


5 : G面

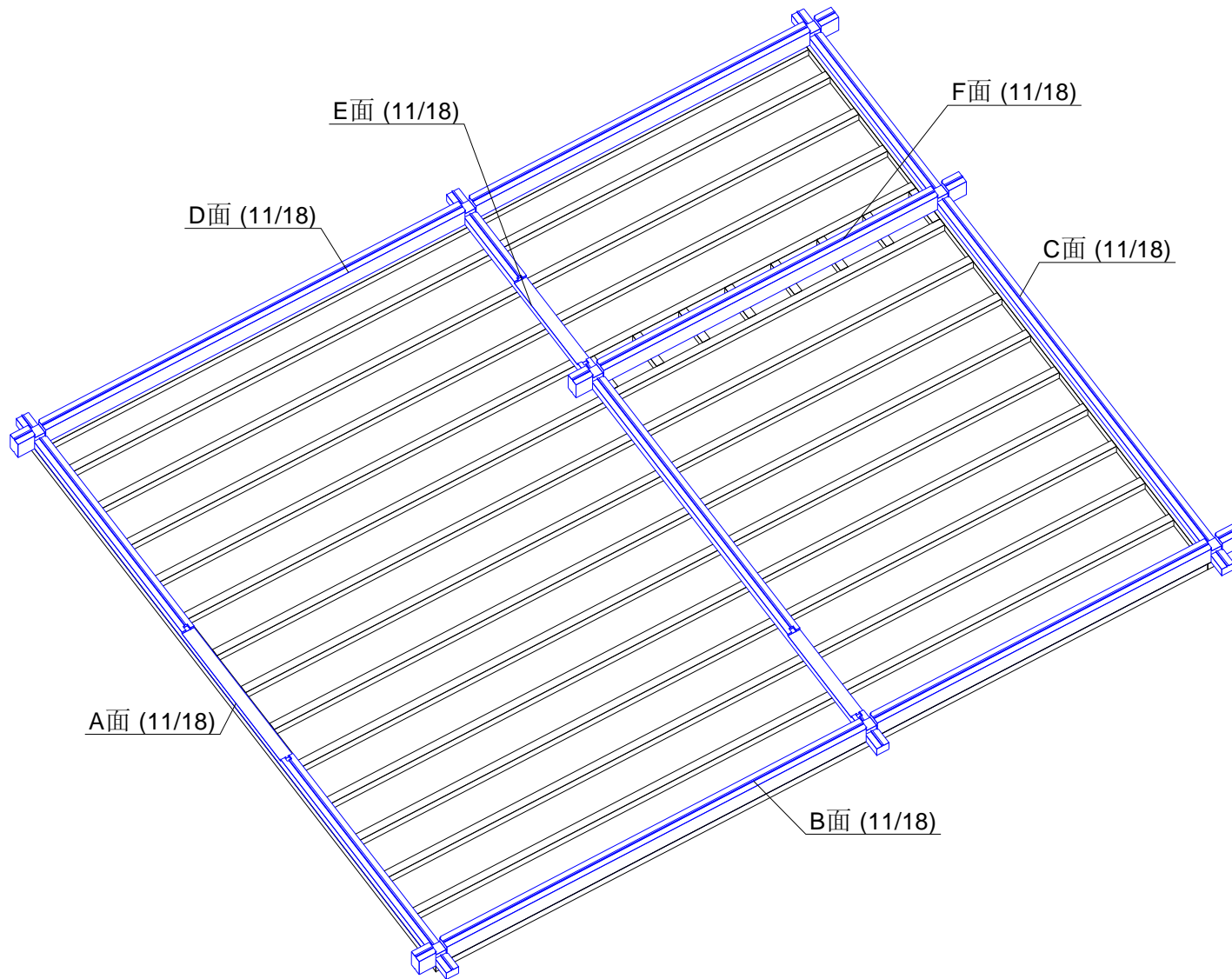
层号的面 1 = 28.93 m² (总)



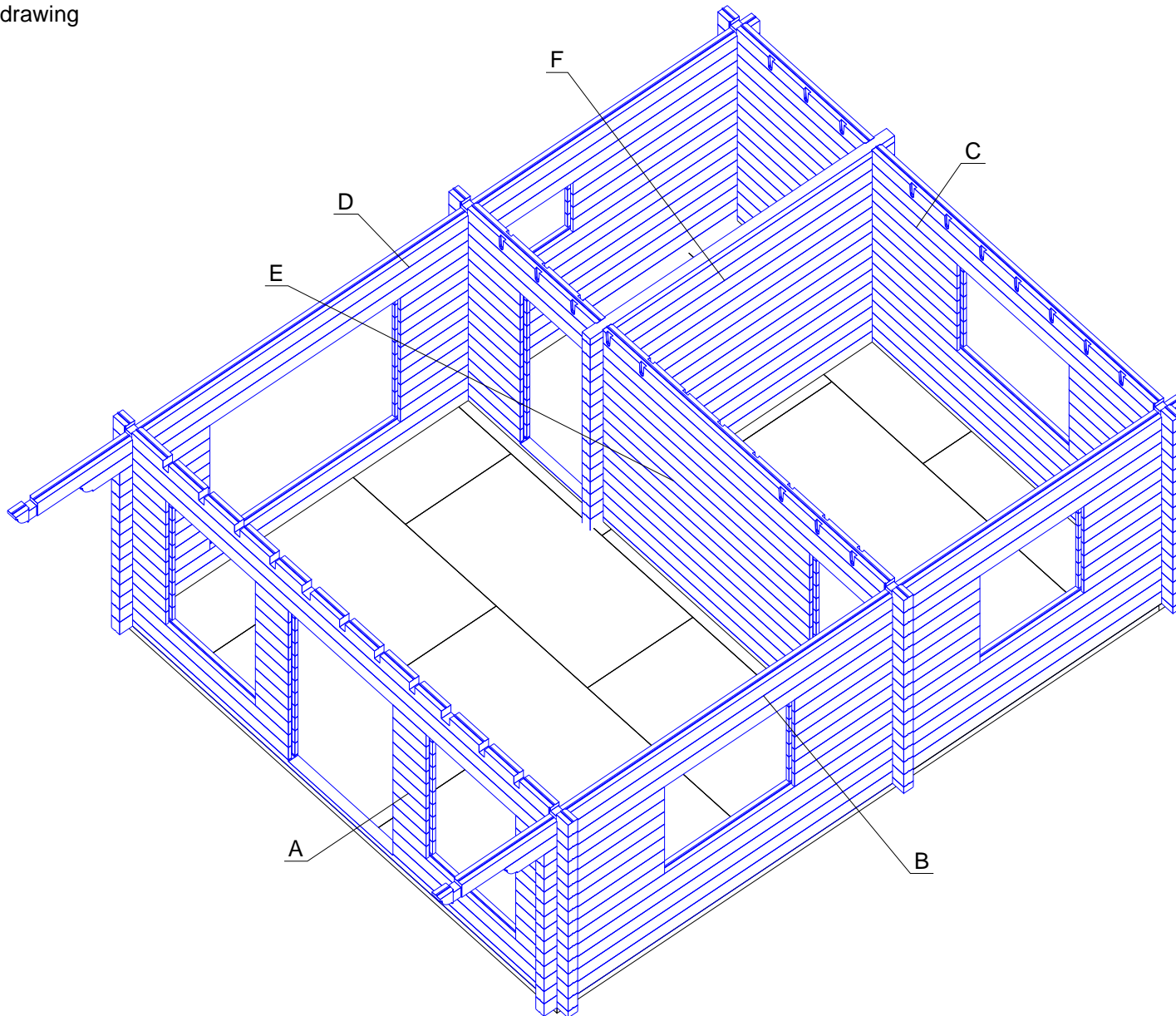
Ground beams drawing



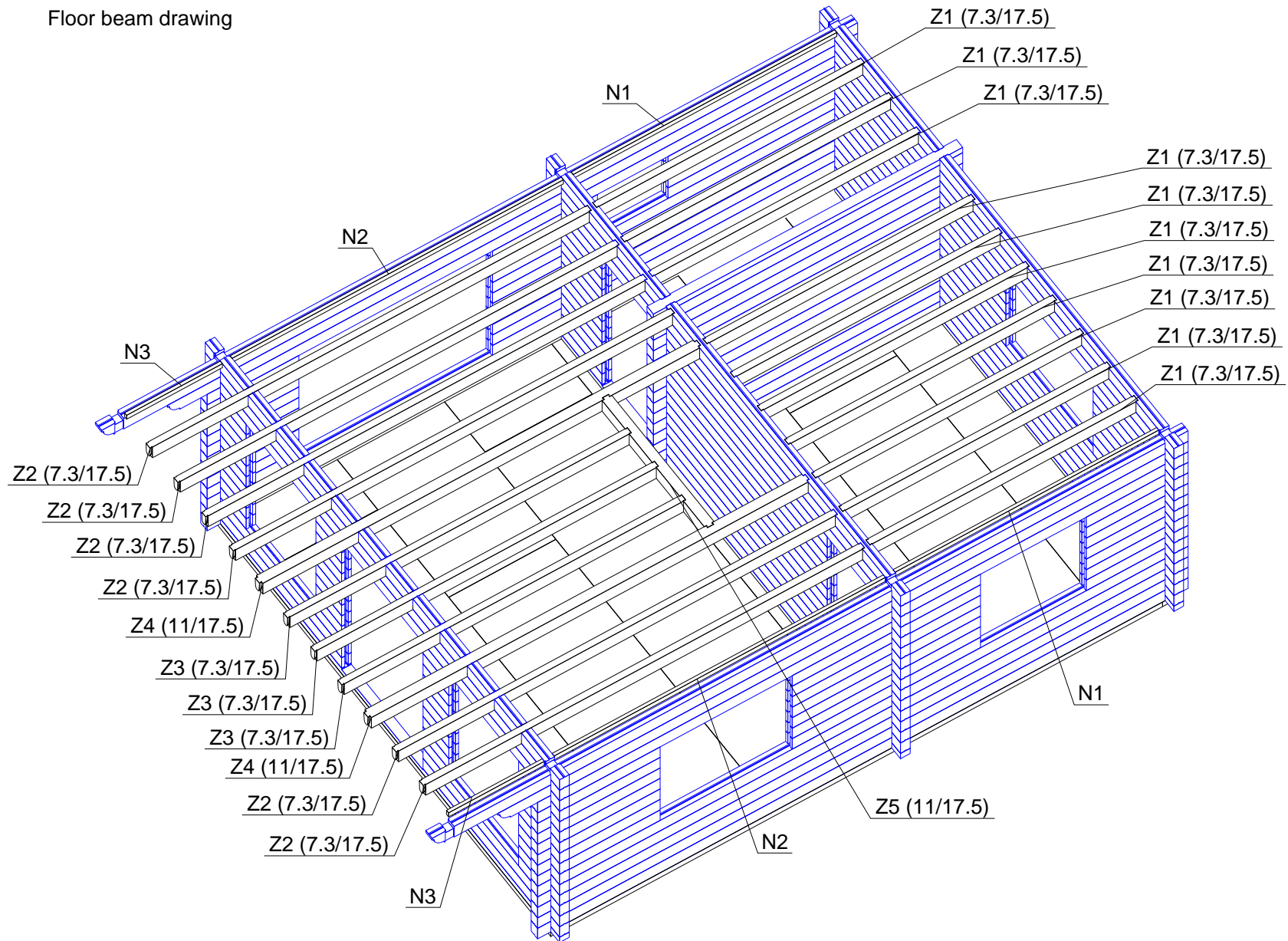
Wall drawing



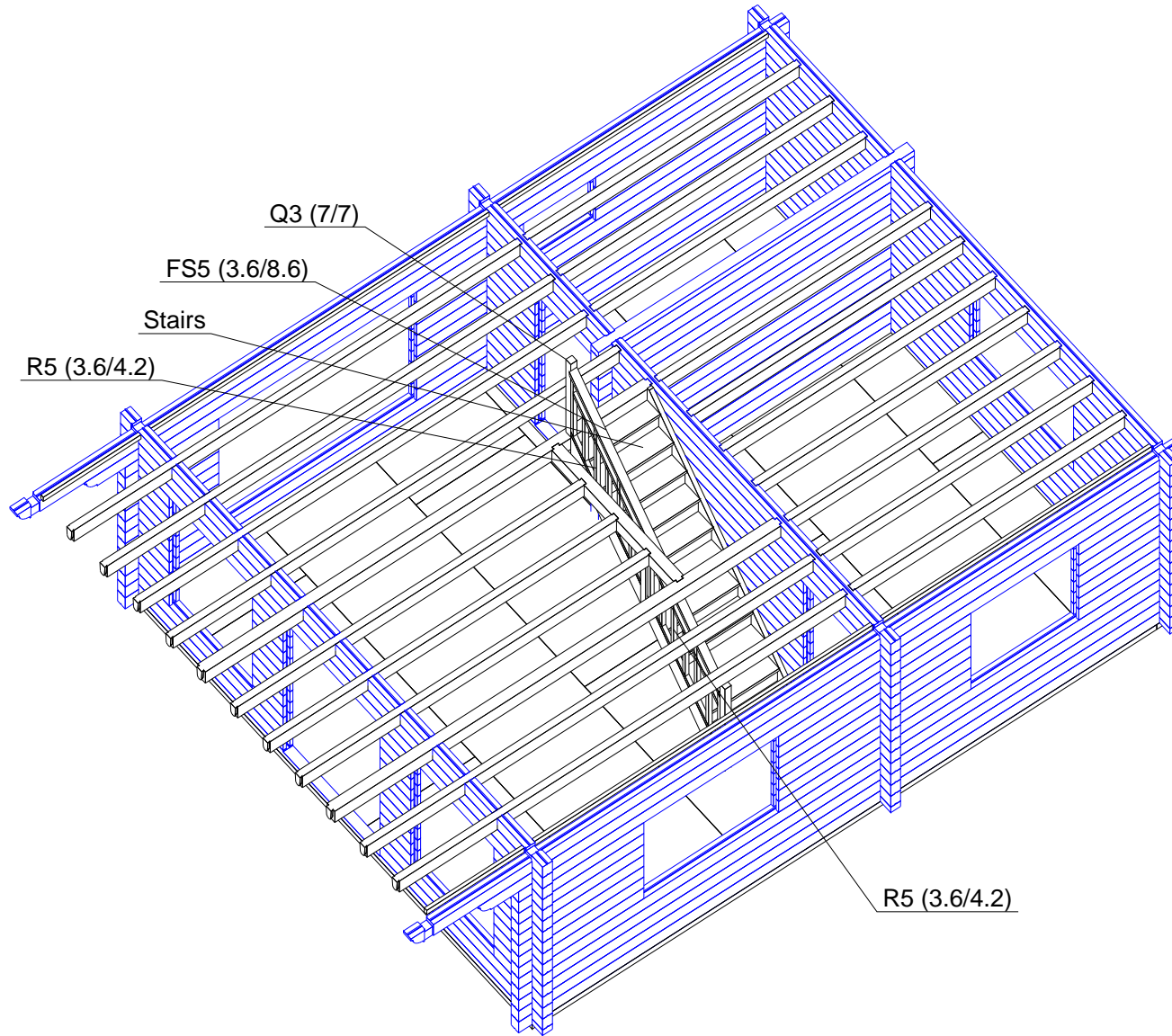
Wall drawing



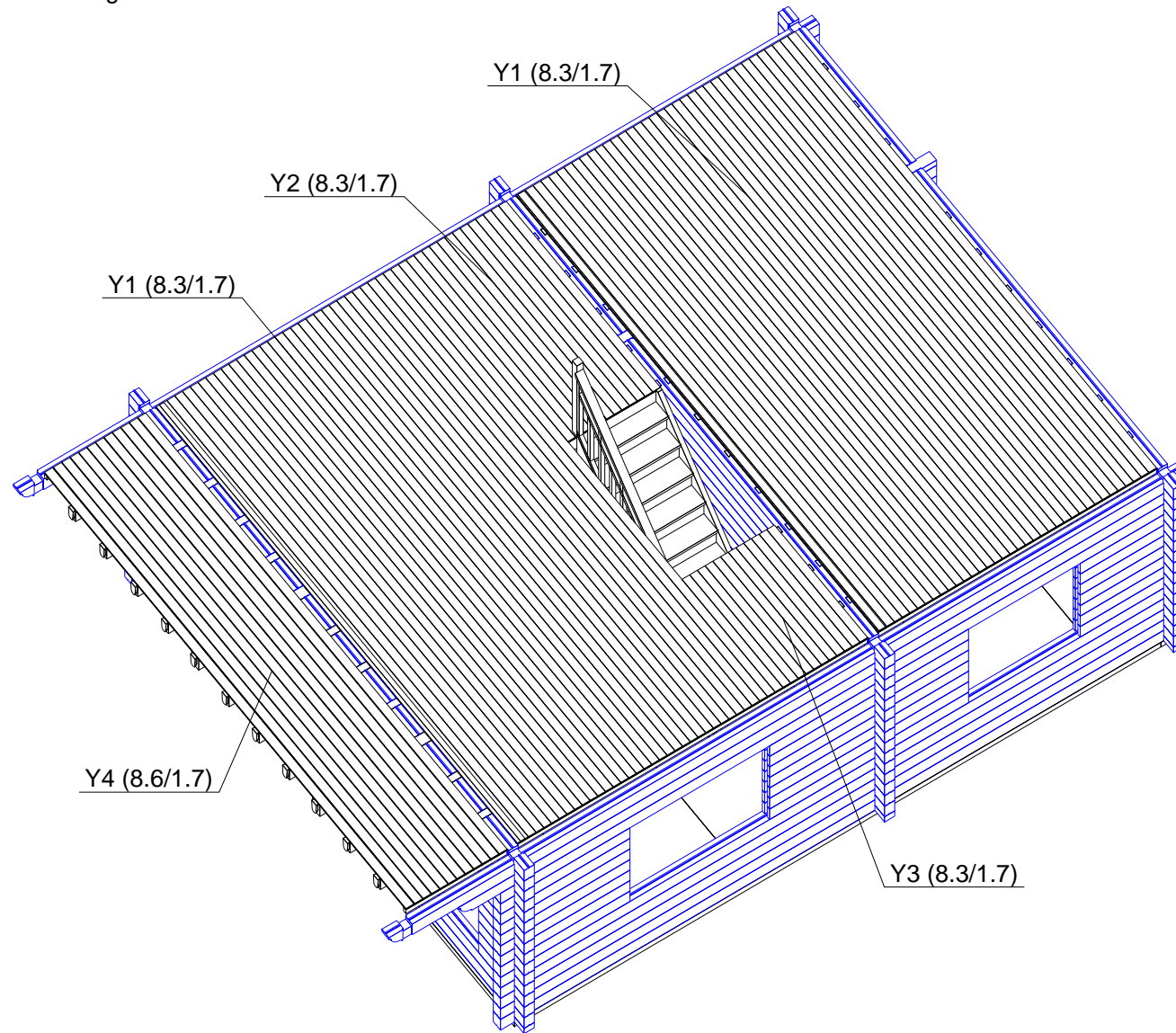
Floor beam drawing



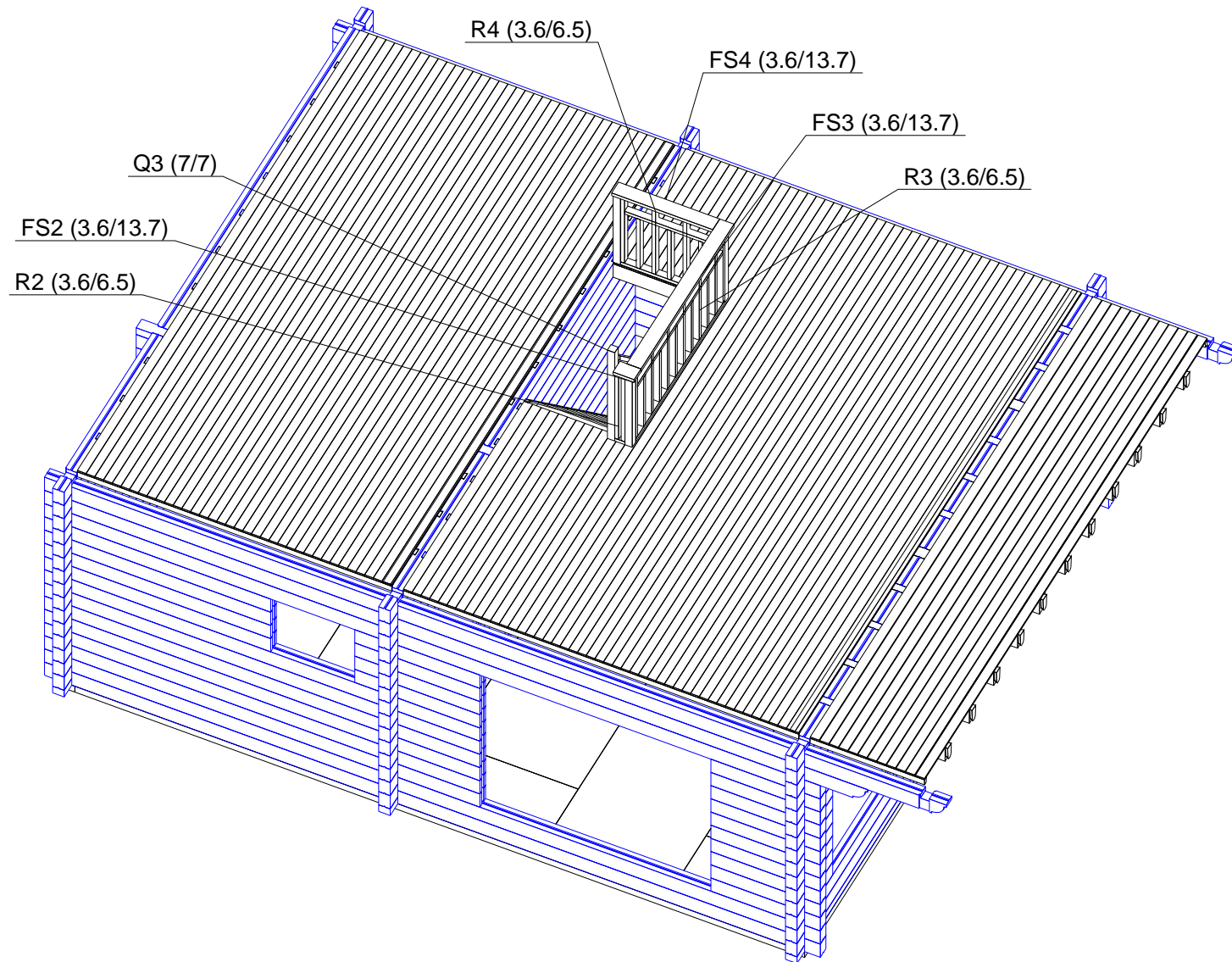
Fence/Stairs



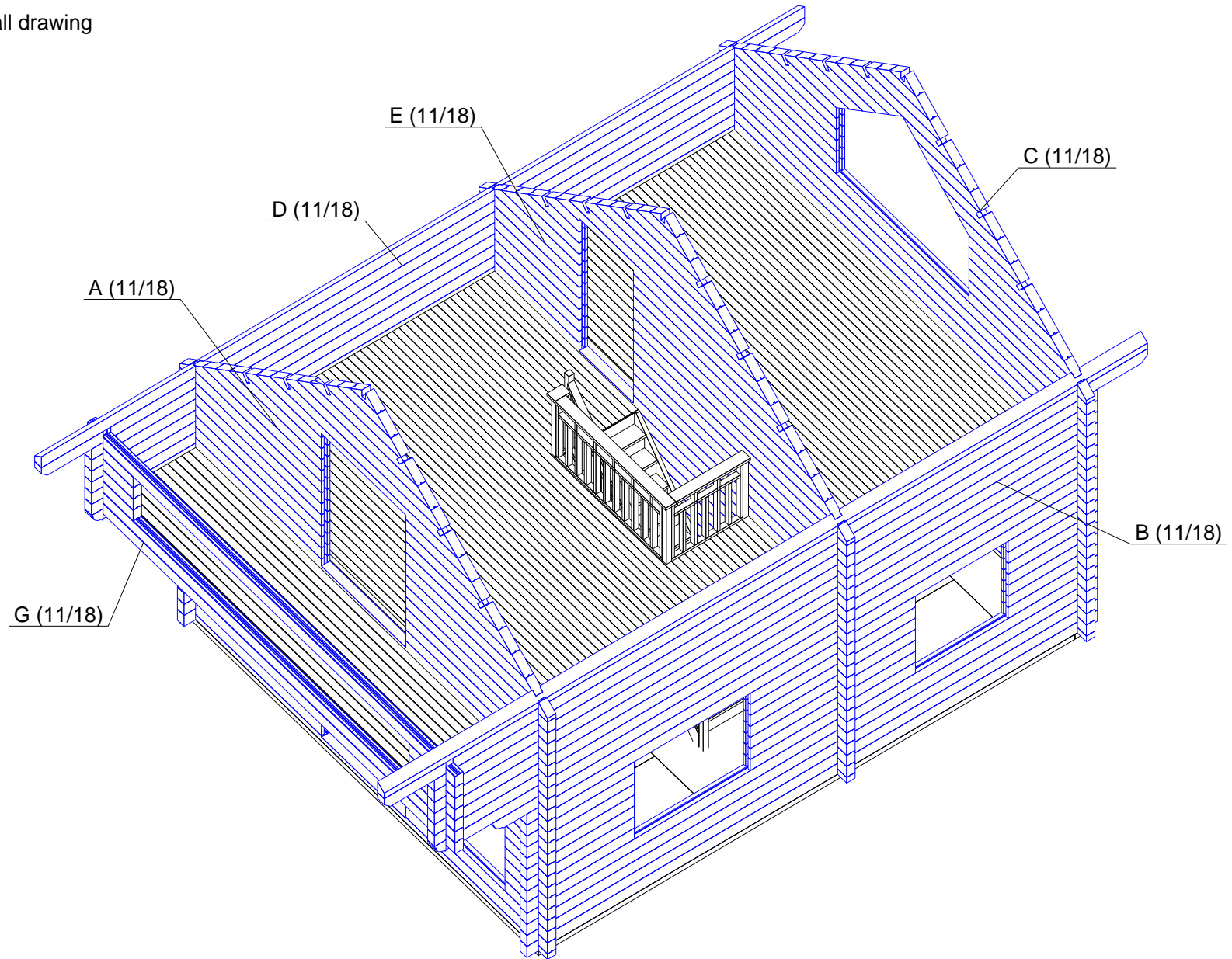
Floor panel drawing



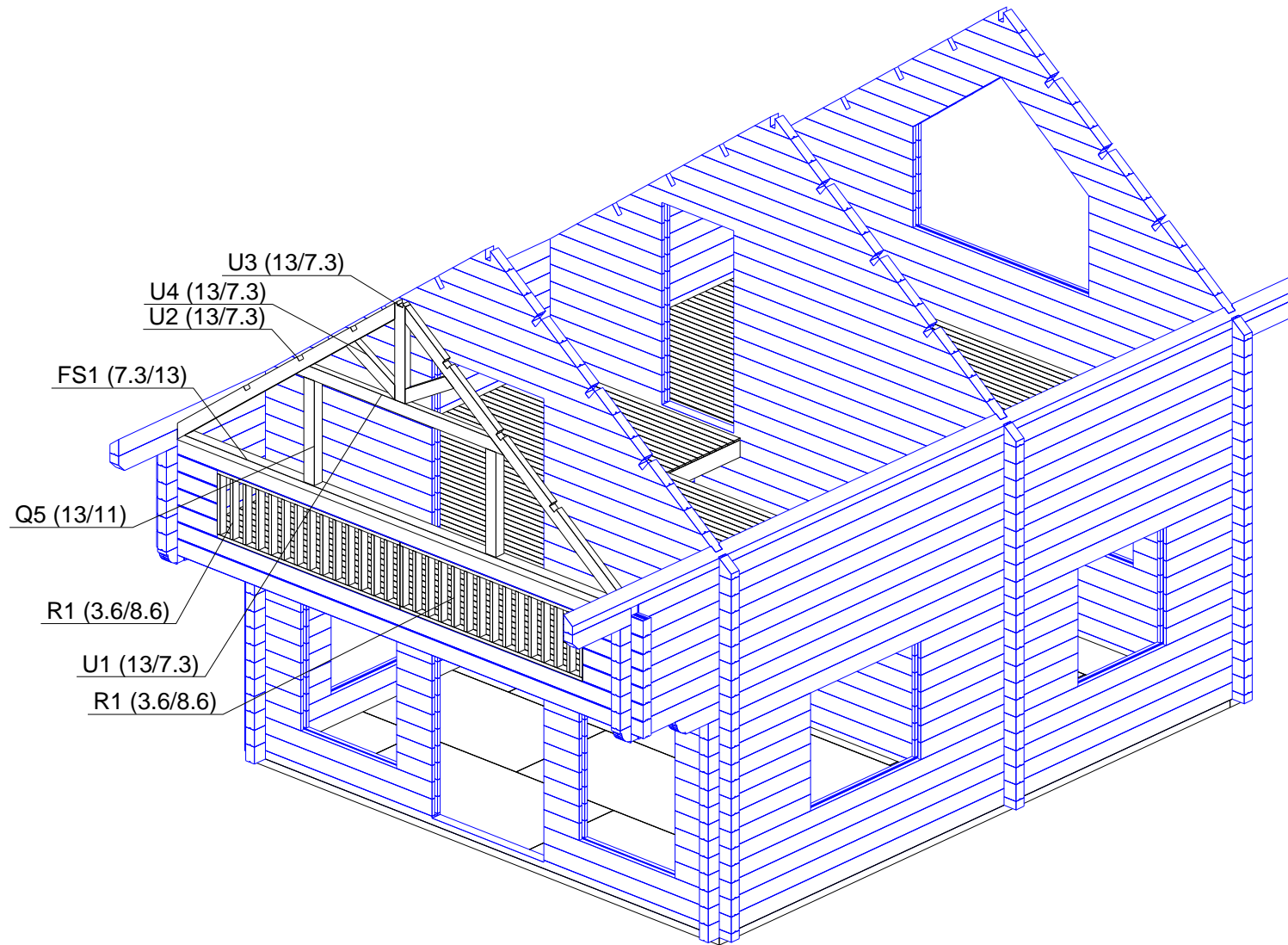
Fence/Handrails



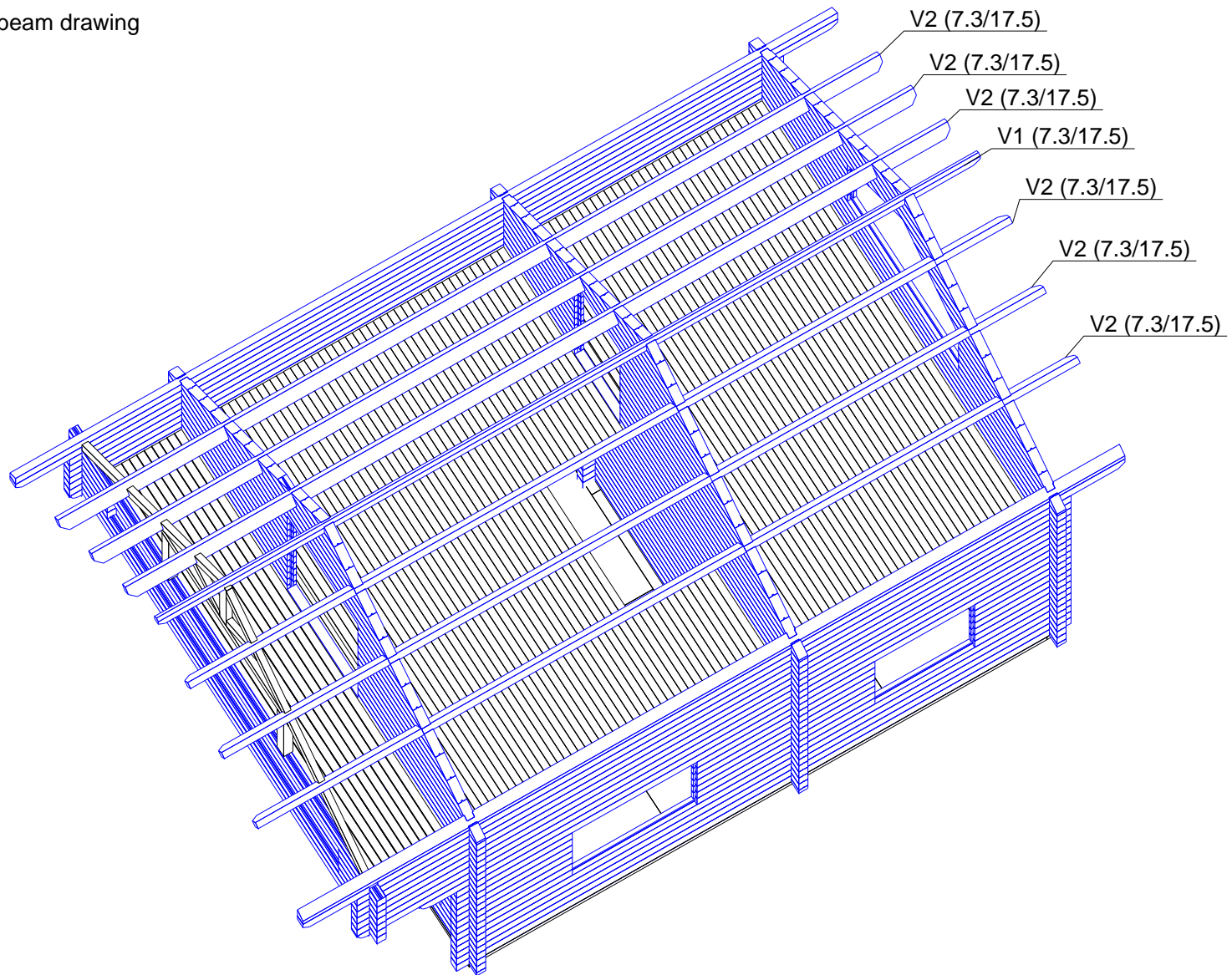
Wall drawing



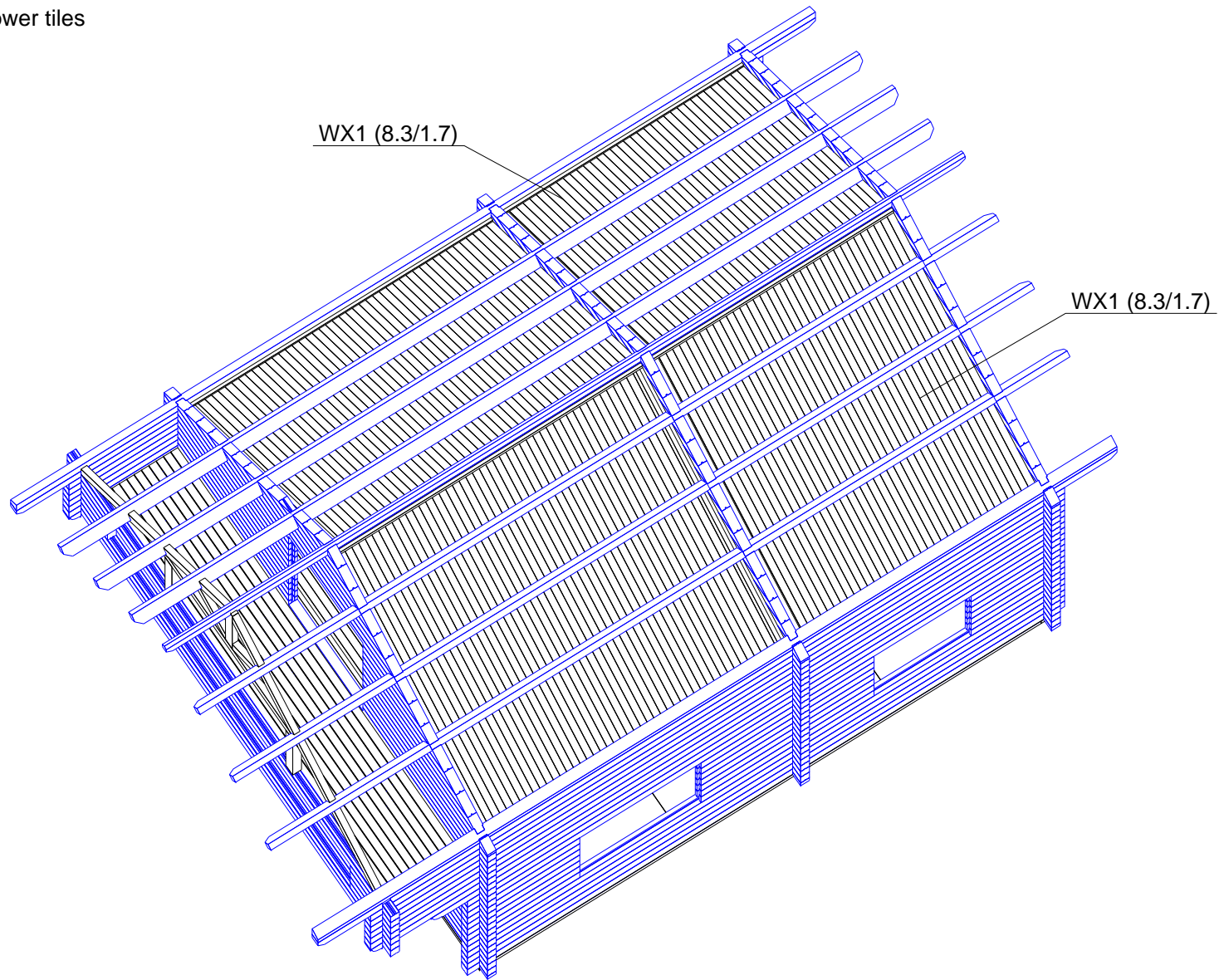
Truss



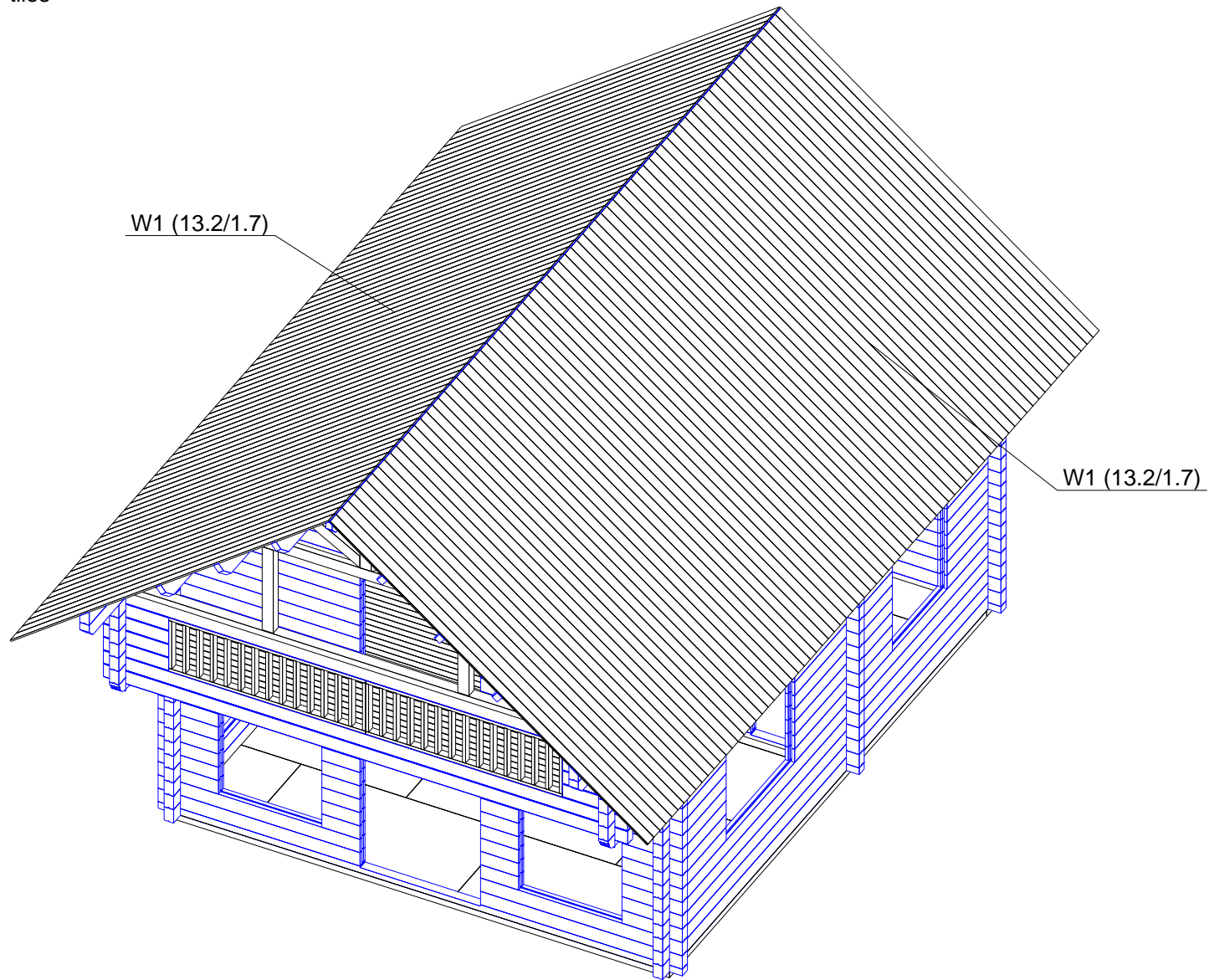
Roof beam drawing

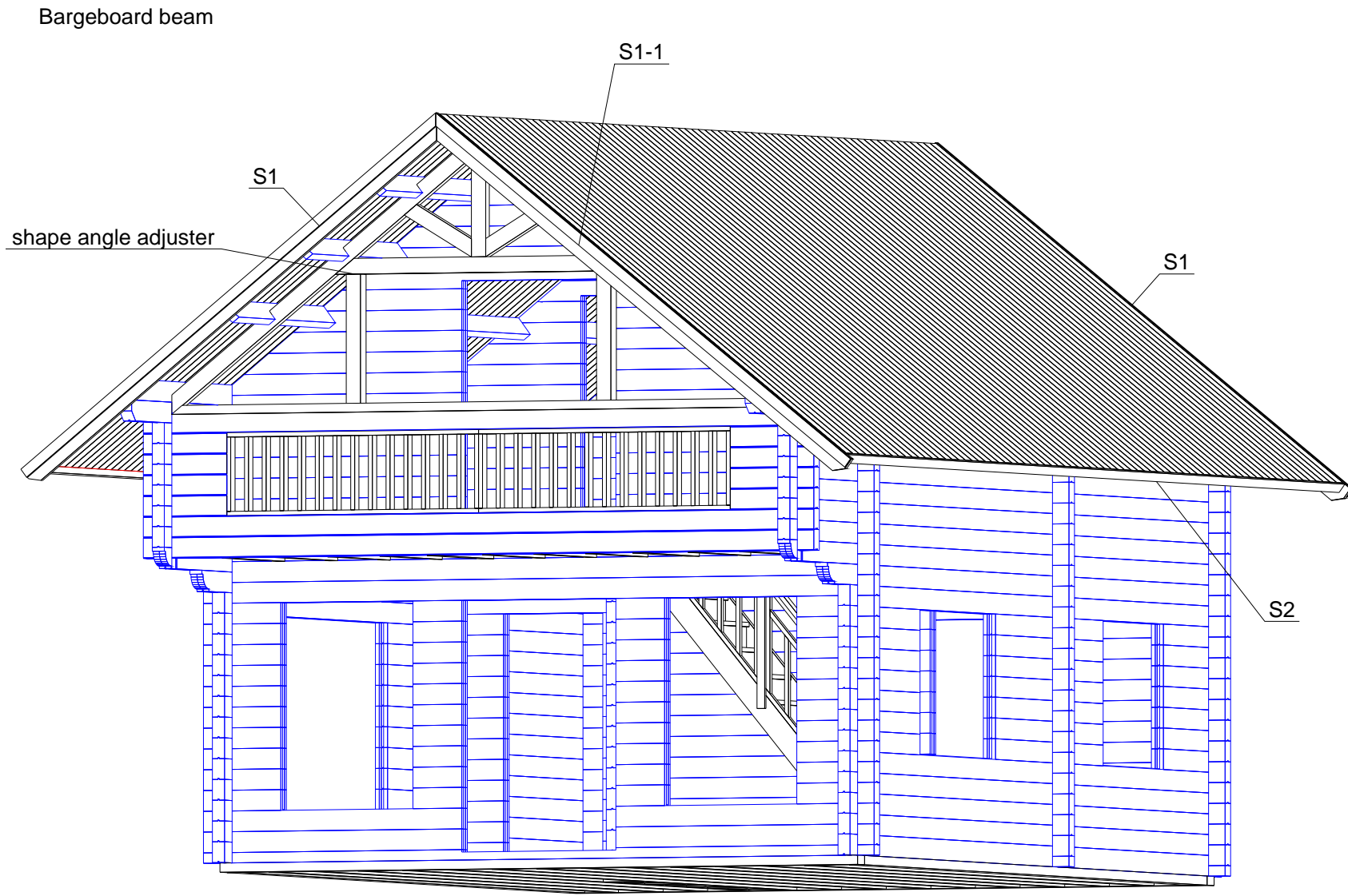


The lower tiles



The upper tiles





Effect drawing

